

PLEASE CHECK WWW.MOLEX.COM FOR LATEST PART INFORMATION

Part Number: [0473095251](#)
Status: **Active**
Description: 1.10mm (.043") Pitch microSD Card Header, with Detect Switch, Height 5.25mm (.207"), Lead free

Documents:

[Drawing \(PDF\)](#) [RoHS Certificate of Compliance \(PDF\)](#)
[Product Specification PS-47309-002 \(PDF\)](#)

General

Product Family	Memory Card Sockets
Series	47309
Button Type	Push-Pull
Comments	Push-Pull Type
Component Type	I/O Header (Card)
Product Name	microSD Card, TransFlash
Type	N/A

Physical

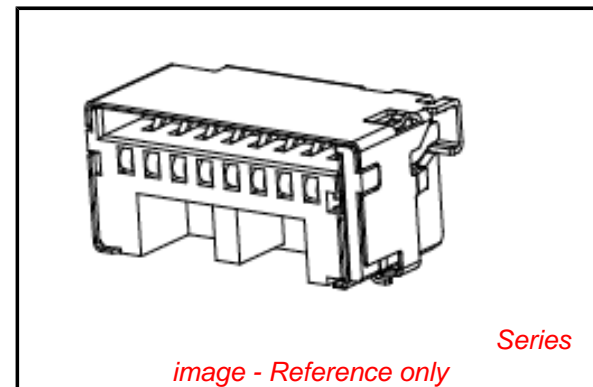
Card Detection Switch	Yes
Circuits (Loaded)	8
Circuits (maximum)	8
Color - Resin	Black
Durability (mating cycles max)	10,000
Ejector Button Side	No Ejector Button Present
Entry Angle	90° Angle
Keying to Mating Part	Yes
Material - Metal	Phosphor Bronze
Material - Plating Mating	Gold
Material - Plating Termination	Gold
Material - Resin	High Temperature Thermoplastic
PCB Locator	No
PCB Mounting Side	Reverse
PCB Retention	Yes
Packaging Type	Embossed Tape on Reel
Pitch - Mating Interface (in)	0.043 In
Pitch - Mating Interface (mm)	1.10 mm
Pitch - Term. Interface (in)	0.043 In
Pitch - Term. Interface (mm)	1.10 mm
Plating min: Mating (µin)	29.5
Plating min: Mating (µm)	0.75
Plating min: Termination (µin)	2
Plating min: Termination (µm)	0.05
Ports	1
Temperature Range - Operating	-40°C to +85°C
Termination Interface: Style	Surface Mount

Electrical

Current - Maximum per Contact	0.5A
Shielded	Yes
Voltage - Maximum	5V

Solder Process Data

Duration at Max. Process Temperature (seconds)	3
Lead-free Process Capability	Reflow Capable (SMT only)
Max. Cycles at Max. Process Temperature	2



EU RoHS

ELV and RoHS Compliant
REACH SVHC
 Not Reviewed
Halogen-Free Status

China RoHS



Halogen-Free

Need more information on product environmental compliance?

Email productcompliance@molex.com
 For a multiple part number RoHS Certificate of Compliance, [click here](#)

Please visit the [Contact Us](#) section for any non-product compliance questions.

Search Parts in this Series

[47309Series](#)

Mates With

Standard SIM Card

Use With

microSD Card

Process Temperature max. C 255

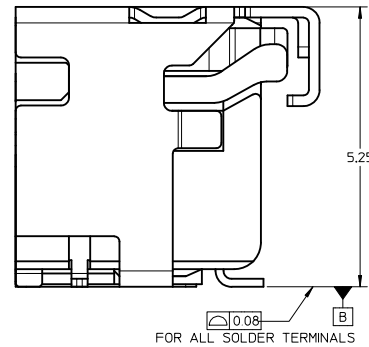
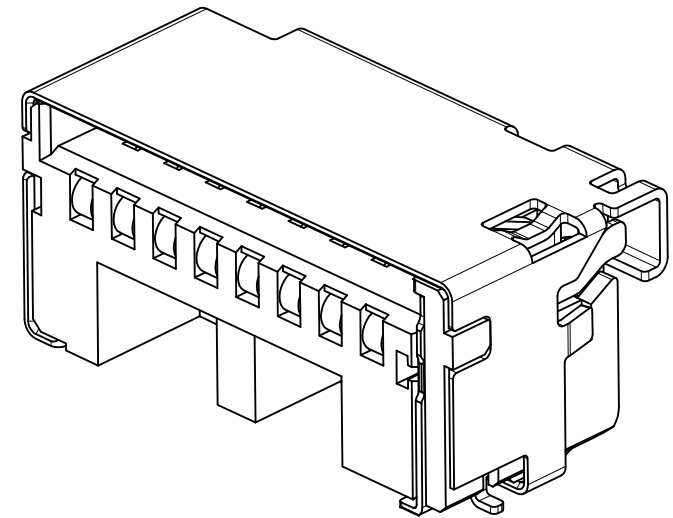
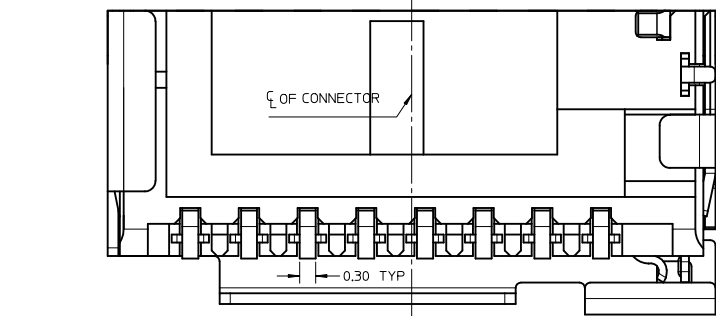
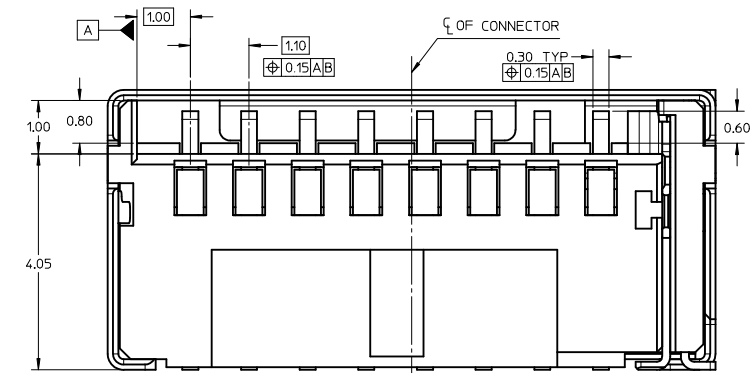
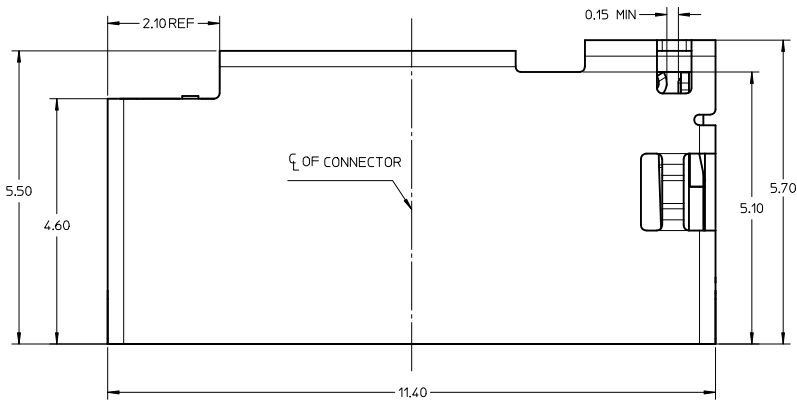
Material Info

Reference - Drawing Numbers

Packaging Specification	PK-47309-525
Product Specification	PS-47309-002
Sales Drawing	SD-47309-525

This document was generated on 05/20/2010

PLEASE CHECK WWW.MOLEX.COM FOR LATEST PART INFORMATION



NOTE:

1 MATERIAL:

- 1-1 HOUSING : LCP, 30% G/F, UL 94V-0, BLACK,
- 1-2 SIGNAL TERMINAL AND DETECT TERMINAL : PHOSPHOR BRONZE,
- 1-3 METAL SHELL : STAINLESS STEEL.

2 FINISH:

- 2-1 SIGNAL TERMINAL : 1.25-6.25 MICRON NICKEL MIN UNDER-PLATED,
0.75-1.25 MICRON GOLD MIN ON CONTACT AREA, GOLD FLASH PLATED ON SOLDER AREA,
- 2-2 METAL SHELL : GOLD FLASH PLATED OVER NICKEL ON SOLDER AREA,
- 2-3 DETECT PIN : 1.25-6.25 MICRON NICKEL MIN UNDER-PLATED,
GOLD FLASH PLATED ON CONTACT AREA, TIN PLATED ON SOLDER AREA ,

3 PRODUCT SPECIFICATION: PS-47309-002.

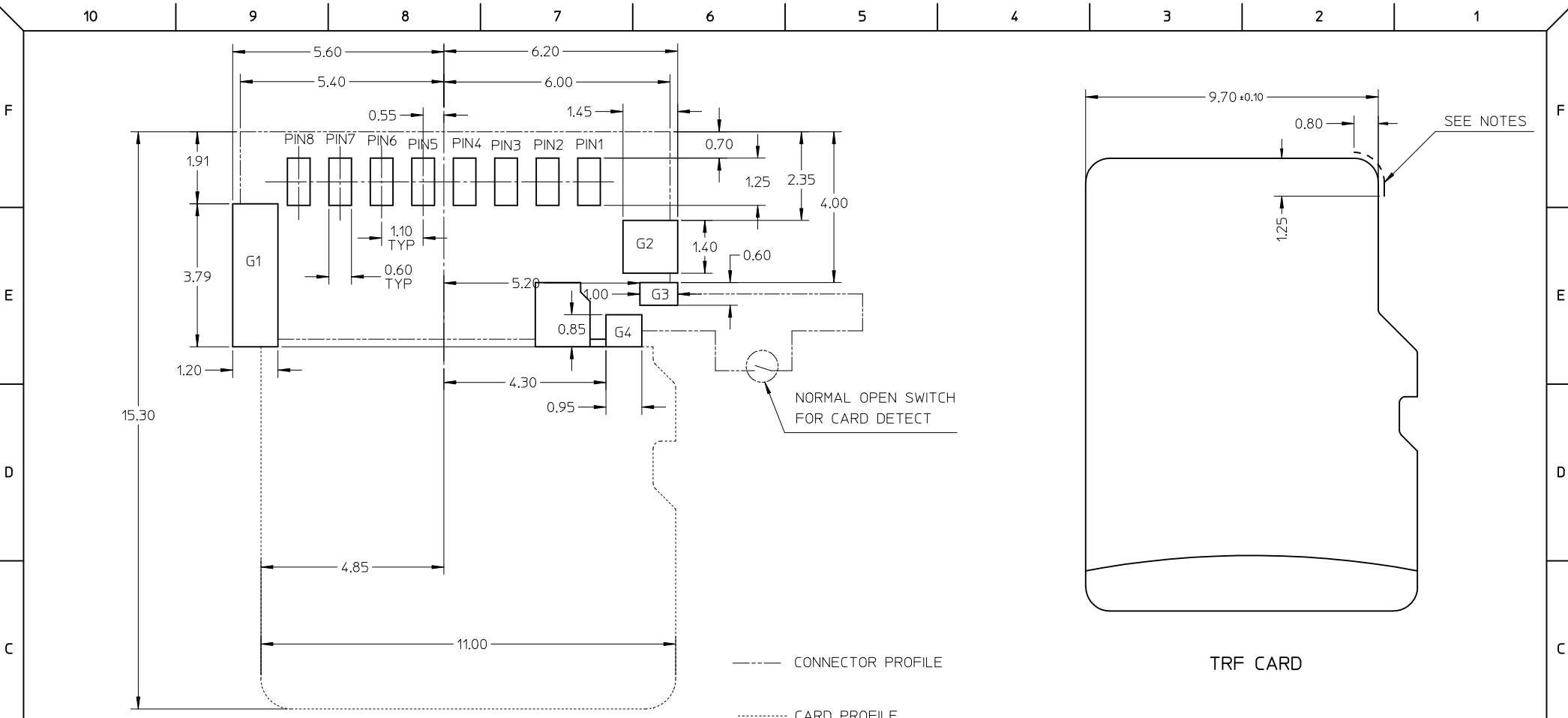
4 PRODUCT PACKAGE: PK-47309-525.

5 FOR LASER PRINT DATE CODE, P/N IS 473091525.

FOR INK PRINT DATE CODE, P/N IS 473095251.

6 COMPLIANT TO ROHS DIRECTIVE 2002/95/EC AND ELV 2000/53/EC.

RELEASED EC NO: SH2010-0403 DRWN: JLU39 2010/04/23 CHKD: LANDY 2010/04/23 APPR: WFDENG 2010/06/01	DESCRIPTION REV	QUALITY SYMBOLS $\nabla=0$ $\nabla=0$ $\nabla=0$		GENERAL TOLERANCES (UNLESS SPECIFIED) mm INCH 4 PLACES \pm --- \pm --- 3 PLACES \pm --- \pm --- 2 PLACES \pm 0.15 \pm --- 1 PLACE \pm 0.25 \pm --- ANGULAR \pm 1°		DIMENSION STYLE MM ONLY DRAWN BY DATE LLIU10 2008/11/05 CHECKED BY DATE WFDENG 2009/07/19 APPROVED BY DATE HWWANG 2009/07/19 MATERIAL NO.		SCALE 15:1	DESIGN UNITS METRIC	THIRD ANGLE PROJECTION	TITLE 5.25H MICRO-SD HEADER W/DETECT PIN MOLEX INCORPORATED DOCUMENT NO. SD-47309-525 SHEET NO. 1 OF 2
		DRAFT WHERE APPLICABLE MUST REMAIN WITHIN DIMENSIONS				SEE NOTES		THIS DRAWING CONTAINS INFORMATION THAT IS PROPRIETARY TO MOLEX INCORPORATED AND SHOULD NOT BE USED WITHOUT WRITTEN PERMISSION			



RECOMMENDED PCB LAYOUT
TOLERANCE FOR PCB LAYOUT : ±0.05

NOTES;
NO CONDUCTIVE EXPOSURE TRACE IS ALLOWED ON THE SIDE FACE OF THE CARD AT THIS AREA.

G4	DET
G3	POL
G2	GND
G1	GND
P8	DAT1
P7	DAT0
P6	VSS
P5	CLK
P4	VDD
P3	CMD
P2	CD/DAT3
P1	DAT2
PIN NUMBER	PIN NUMBER

RELEASED EC NO: SH2010-0403 DRWN: JLU39 CHKD: LANDY APPR: WFDENG	2010/04/23 2010/04/23 2010/06/01	DESCRIPTION REV	QUALITY SYMBOLS	GENERAL TOLERANCES (UNLESS SPECIFIED)	DIMENSION STYLE	SCALE	DESIGN UNITS	THIRD ANGLE PROJECTION
			$\nabla_F = 0$ $\nabla_E = 0$ $\nabla_B = 0$	mm INCH 4 PLACES ± --- ± --- 3 PLACES ± --- ± --- 2 PLACES ± 0.15 ± --- 1 PLACE ± 0.25 ± --- ANGULAR ± 1°	MM ONLY	5:1	METRIC	
				DRAFT WHERE APPLICABLE MUST REMAIN WITHIN DIMENSIONS	DRAWN BY: LLIU10 CHECKED BY: WFDENG APPROVED BY: HWWANG MATERIAL NO.	DATE: 2008/11/05 DATE: 2009/07/19 DATE: 2009/07/19	TITLE: 5.25H MICRO-SD HEADER W/DETECT PIN MOLEX INCORPORATED DOCUMENT NO. SD-47309-525	SHEET NO. 2 OF 2
				SEE NOTES THIS DRAWING CONTAINS INFORMATION THAT IS PROPRIETARY TO MOLEX INCORPORATED AND SHOULD NOT BE USED WITHOUT WRITTEN PERMISSION				